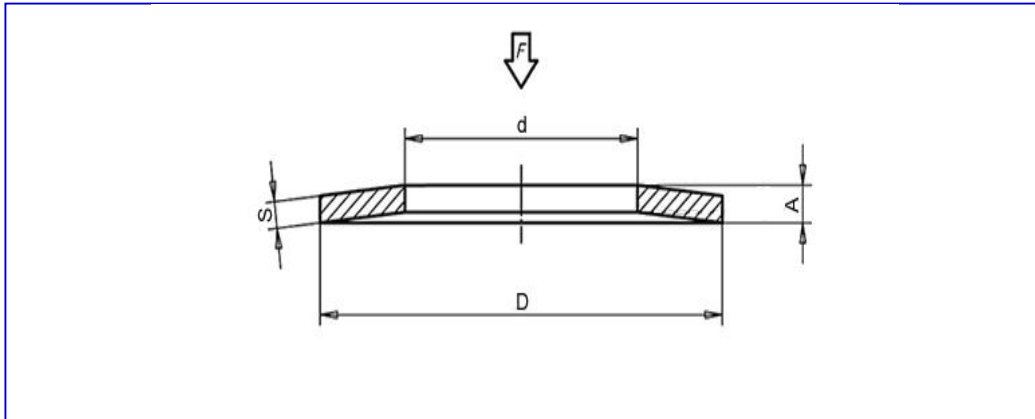




11-2372-5441
11-98843-3641
vendas1@vsprod.com.br
Skype: vs.vendas

Produtos para Industria Ltda.

MOLA PRATO



Material	Aço SAE C1070 - 6150
Tolerâncias	Conforme Din 2093
Faixa de Dureza	42 - 52 HRC
Fabricamos itens especiais de acordo com as suas especificações	

Mola prato Grupo 680

d	D	Mola grupo 680					Código VS
		S	A	f	C	Peso	
H12	h12					Curso	Carga em (kgf)
4.2	8.0	0.40	0.60	0.15	21	0.12	VS 680.004
5.2	10.0	0.50	0.75	0.19	34	0.22	VS 680.005
6.2	12.5	0.70	1.00	0.22	67	0.50	VS 680.006
7.2	14.0	0.80	1.10	0.22	81	0.70	VS 680.007
8.2	16.0	0.90	1.25	0.26	103	1.05	VS 680.008
9.2	18.0	1.00	1.40	0.30	128	1.47	VS 680.009
10.2	20.0	1.10	1.55	0.34	155	1.99	VS 680.010
11.2	22.5	1.25	1.75	0.37	195	2.92	VS 680.011
12.2	25.0	1.50	2.05	0.41	298	4.36	VS 680.012
14.2	28.0	1.50	2.15	0.49	290	5.02	VS 680.014
16.3	31.5	1.75	2.45	0.52	398	7.78	VS 680.016
18.3	35.5	2.00	2.80	0.60	528	11.36	VS 680.018
20.4	40.0	2.25	3.15	0.67	660	16.35	VS 680.020
22.4	45.0	2.50	3.50	0.75	790	23.28	VS 680.022
25.4	50.0	3.00	4.10	0.82	1220	34.20	VS 680.025

28.5	56.0	3.00	4.30	0.87	1150	42.75	VS 680.028
31.0	63.0	3.50	4.90	1.05	1530	64.40	VS 680.031
36.0	71.0	4.00	5.60	1.20	2100	92.00	VS 680.036
41.0	80.0	5.00	6.70	1.28	3500	145.0	VS 680.041
46.0	90.0	5.00	7.00	1.50	3200	182.86	VS 680.046
51.0	100.0	6.00	8.20	1.65	4900	270.86	VS 680.051
57.0	112.0	6.00	8.50	1.88	4500	342.00	VS 680.057
64.0	125.0	8.00	10.6	1.95	8800	563.20	VS 680.064
72.0	140.0	8.00	11.2	2.40	8700	707.20	VS 680.072
82.0	160.0	10.0	13.5	2.60	14000	1158.30	VS 680.082
92.0	180.0	10.0	14.0	3.00	12800	1466.70	VS 680.092
102.0	200.0	12.0	16.2	3.15	18700	2160.00	VS 680.102
112.0	225.0	12.0	17.0	3.75	17500	2790.00	VS 680.112
127.0	250.0	14.0	19.0	4.20	25000	3962.00	VS 680.127

Mola prato Grupo 681

d	D	Mola Grupo 681					Código VS
		S	A	f	C	Peso	
				Curso	Carga em kgf	kg/1000	
H12	h12						
4.2	8.0	0.30	0.55	0.19	12	0.09	VS 681.004
5.2	10.0	0.40	0.70	0.22	21	0.18	VS 681.005
6.2	12.5	0.50	0.85	0.26	30	0.36	VS 681.006
7.2	14.0	0.50	0.90	0.30	28	0.44	VS 681.007
8.2	16.0	0.60	1.05	0.34	42	0.70	VS 681.008
9.2	18.0	0.70	1.20	0.37	58	1.03	VS 681.009
10.2	20.0	0.80	1.35	0.41	76	1.45	VS 681.010
11.2	22.5	0.80	1.45	0.49	72	1.87	VS 681.011
12.2	25.0	0.90	1.60	0.52	88	2.62	VS 681.012
14.2	28.0	1.00	1.80	0.60	113	3.35	VS 681.014
16.3	31.5	1.25	2.15	0.67	194	5.56	VS 681.016
18.3	35.5	1.25	2.25	0.75	173	7.10	VS 681.018
20.4	40.0	1.50	2.65	0.86	267	10.90	VS 681.020
22.4	45.0	1.75	3.05	0.97	372	16.30	VS 681.022
25.4	50.0	2.00	3.40	1.05	485	22.80	VS 681.025
28.5	56.0	2.00	3.60	1.20	452	28.50	VS 681.028
31.0	63.0	2.50	4.25	1.31	730	46.00	VS 681.031
36.0	71.0	2.50	4.50	1.50	690	57.50	VS 681.036
41.0	80.0	3.00	5.30	1.72	1070	87.00	VS 681.041
46.0	90.0	3.50	6.00	1.88	1450	128.00	VS 681.046
51.0	100.0	3.50	6.30	2.10	1330	158.00	VS 681.051
57.0	112.0	4.00	7.20	2.40	1830	228.00	VS 681.057
64.0	125.0	5.00	8.50	2.65	3100	352.00	VS 681.064
72.0	140.0	5.00	9.00	3.00	2850	442.00	VS 681.072

82.0	160.0	6.00	10.5	3.40	4200	695.00	VS 681.082
92.0	180.0	6.00	11.1	3.80	3800	880.00	VS 681.092
102.0	200.0	8.00	13.6	4.20	7800	1440.00	VS 681.102
112.0	225.0	8.00	14.5	4.85	7200	1860.00	VS 681.112
127.0	250.0	10.0	17.0	5.25	12200	2830.00	VS 681.127