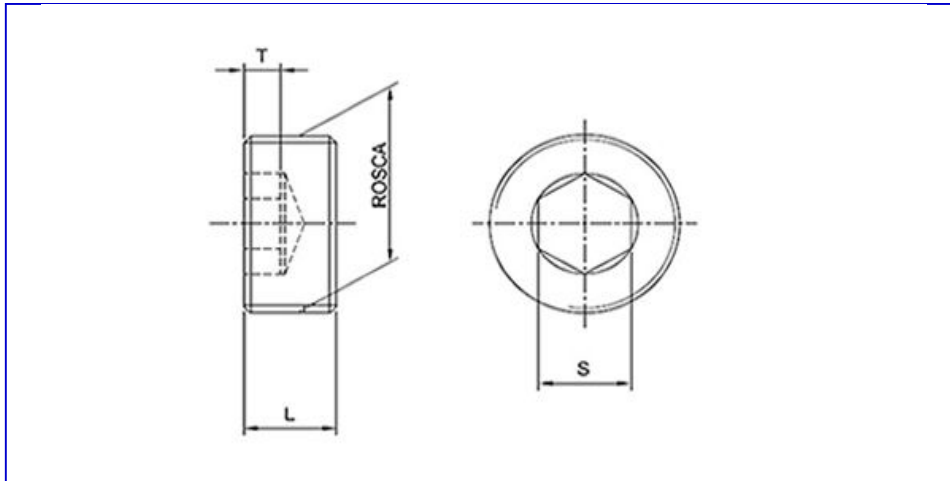




11-2372-5441
11-98843-3641
vendas1@vsprod.com.br
Skype: vs.vendas

Produtos para Industria Ltda.

BUJÃO DIN 906



Rosca Métrica - Conicidade 1:16

Rosca X Passo	L (mm)	S (mm)	T (mm)
M8X1,0	8,0	4,0	4,0
M10X1	8,0	5,0	4,0
M12X1,5	10,0	6,0	5,0
M14X1,5	10,0	7,0	5,0
M16X1,5	10,0	8,0	5,0
M18X1,5	10,0	8,0	5,0
M20X1,5	10,0	10,0	5,0
M22X1,5	10,0	10,0	5,0
M24X1,5	12,0	12,0	6,0
M26X1,5	12,0	12,0	6,0
M30X1,5	12,0	17,0	6,0
M36X1,5	15,0	19,0	7,5

Rosca Polegada -BSPT - Conicidade 3/4

Rosca - Fios	L (mm)	S (mm)	T (mm)
1/8-28	8,0	5,0	4,0
1/4-19	10,0	7,0	5,0
3/8-19	10,0	8,0	5,0
1/2-14	10,0	10,0	5,0
3/4-14	12,0	12,0	6,0

1''-11	12,0	17,0	6,0
1.1/4-11	18,0	22,0	11,5
1.1/2-11	20,0	24,0	11,50

Rosca Polegada - NPTF - Conicidade 3/4
--

Rosca - Fios	L (mm)	S (mm)	T (mm)
1/16-27	8,0	5/32	5,0
1/8-27	8,0	3/16	5,0
1/4-18	11,0	1/4	5,5
3/8-18	12,7	5/16	6,5
1/2-14	14,2	3/8	8,0
3/4-14	15,8	9/16	8,0
1''-11,5	19,0	5/8	9,5
1.1/4-11,5	20,6	3/4	11,0
1.1/2-11,5	20,6	1''	11,0
2''-11,5	22,2	1''	11,0

Rosca Polegada - NPTF - Conicidade 7/8
--

Rosca - Fios	L (mm)	S (mm)	T (mm)
1/16-27	6,35	5/32	3,0
1/8-27	6,35	3/16	3,0
1/4-18	10,3	1/4	5,0
3/8-18	10,3	5/16	5,0
1/2-14	13,5	3/8	6,7
3/4-14	13,5	9/16	6,7
1''-11,5	16,5	5/8	8,2
1.1/4-11,5	16,5	3/4	8,2
1.1/2-11,5	16,5	1''	8,2
2''-11,5	16,5	1''	8,2

Material	Aço Carbono
Tratamento Superficial	Oxidado
Classe de Resistência	5.8
Opções de Fornecimento	*Aço-liga com tratamento térmico *Aço Inoxidável e Latão
Fabricamos itens especiais de acordo com as suas especificações	