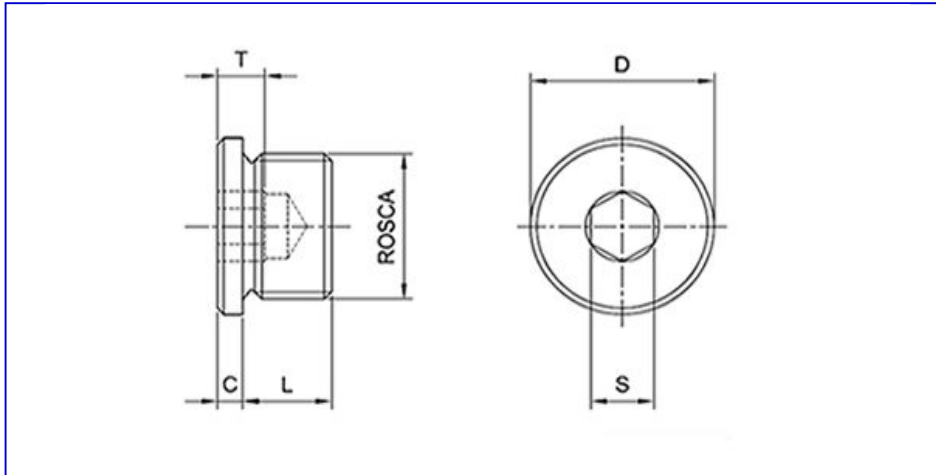




11-2372-5441
11-98843-3641
vendas1@vsprod.com.br
Skype: vs.vendas

Produtos para Industria Ltda.

BUJÃO DIN 908



Rosca Polegada - BSP

Rosca - Fios	D (mm)	C (mm)	L (mm)	S (mm)	T (mm)
1/8-28	14,0	3,0	8,0	5,0	5,0
1/4-19	18,0	3,0	12,0	6,0	7,0
3/8-19	22,0	3,0	12,0	8,0	7,5
1/2-14	26,0	4,0	14,0	10,0	7,5
3/4-14	32,0	4,0	16,0	12,0	9,0
1"-11	39,0	5,0	16,0	17,0	9,0
1.1/4-11	49,0	5,0	16,0	22,0	10,5
1.1/2-11	55,0	5,0	16,0	24,0	10,5
2"-11	68,0	5,0	20,0	32,0	14,0

Rosca Métrica

Rosca - Passo	D (mm)	C (mm)	L (mm)	S (mm)	T (mm)
M10X1,0	14,0	3,0	8,0	5,0	5,0
M12X1,5	17,0	3,0	12,0	6,0	7,0
M14X1,5	19,0	3,0	12,0	6,0	7,0
M16X1,5	21,0	3,0	12,0	8,0	7,5
M18X1,5	23,0	4,0	12,0	8,0	7,5
M20X1,5	25,0	4,0	14,0	10,0	7,5
M22X1,5	27,0	4,0	14,0	10,0	7,5

M24X1,5	29,0	4,0	14,0	12,0	7,5
M26X1,,5	31,0	4,0	16,0	12,0	9,0
M30X1,5	36,0	4,0	16,0	17,0	9,0
M36X1,5	42,0	5,0	16,0	19,0	10,5

Material	Aço Carbono
Tratamento Superficial	Oxidado
Classe de Resistência	5.8
Opções de Fornecimento	*Aço-liga com tratamento térmico *Aço Inoxidável e Latão
Fabricamos itens especiais de acordo com as suas especificações	